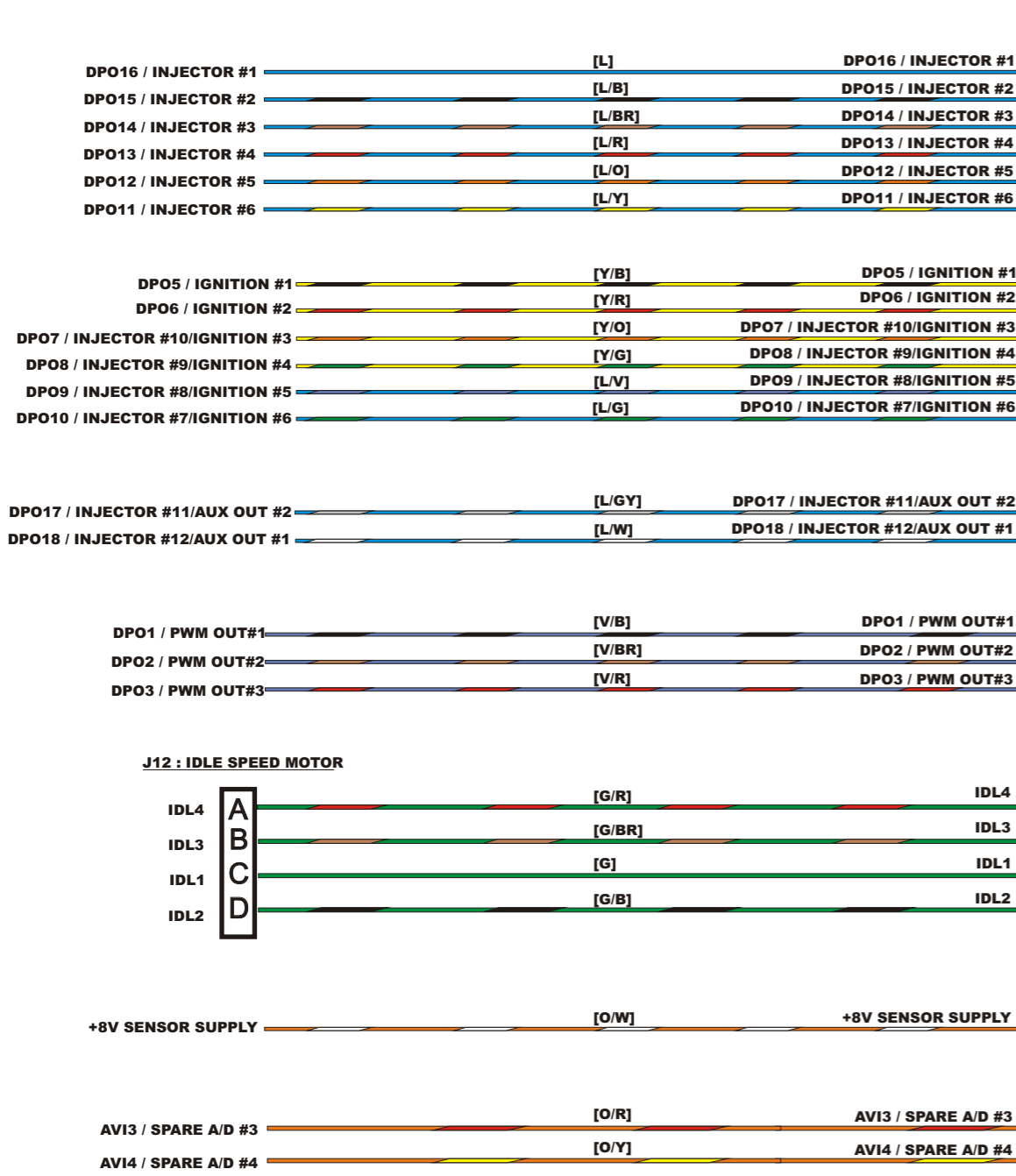
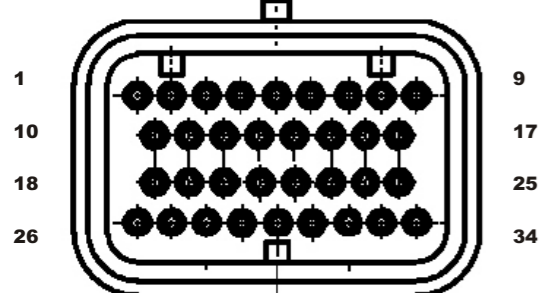


# PLATINUM SPORT 2000 WIRING DIAGRAM

## 34 PIN CONNECTOR



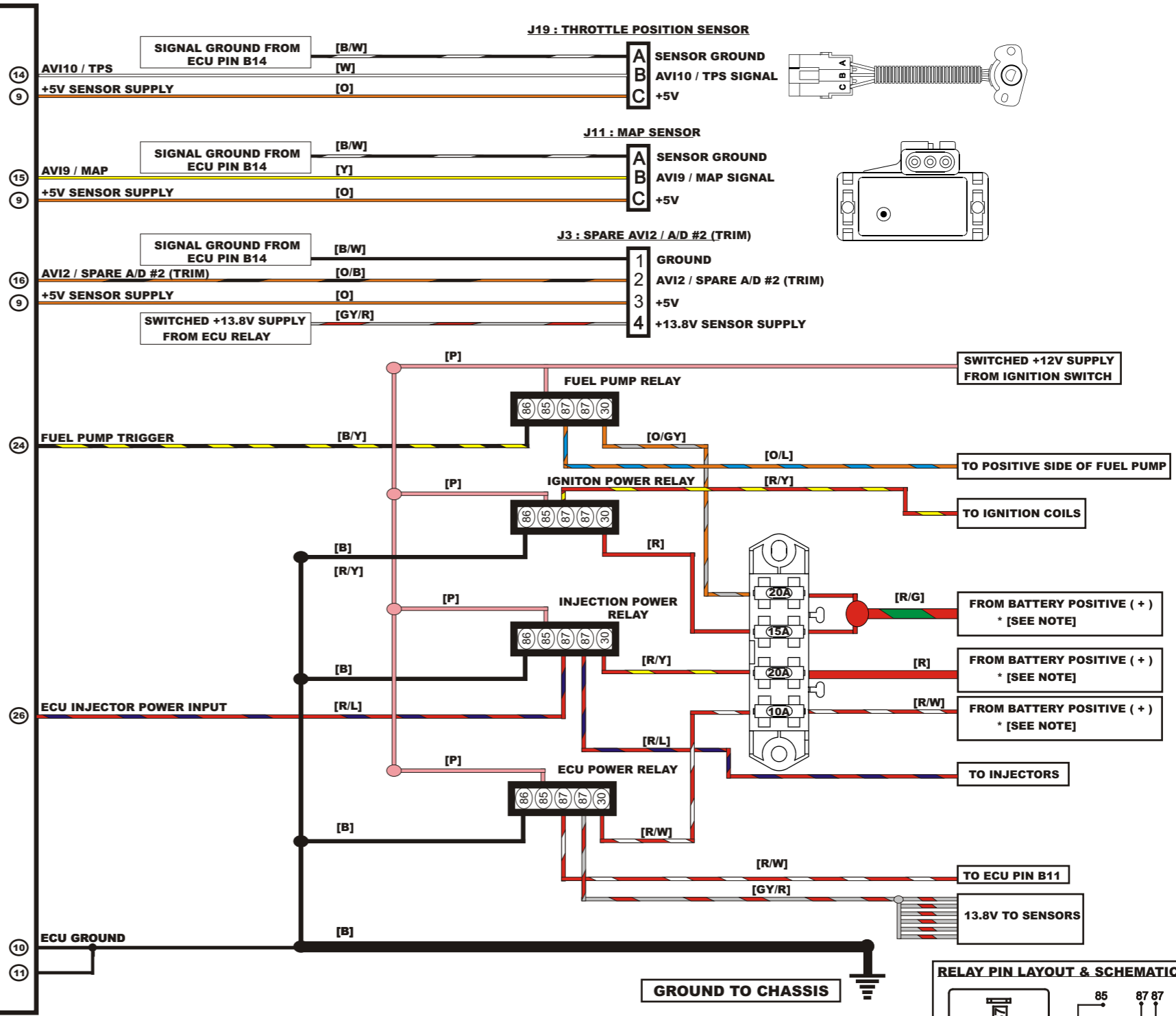
### LOOKING INTO CONNECTOR ON ECU



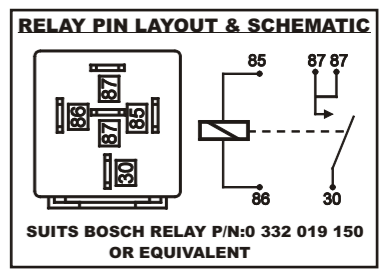
### LEGEND - WIRE COLOUR:

B = BLACK BR = BROWN G = GREEN GY = GREY L = BLUE O = ORANGE P = PINK R = RED V = VIOLET Y = YELLOW

WHEN TWO COLOURS ARE USED IN A WIRE BY THE ALPHABETICAL CODE, THE FIRST LETTER INDICATES THE BASIC WIRE COLOUR, THE SECOND COLOUR INDICATES THE COLOUR OF THE STRIPE.

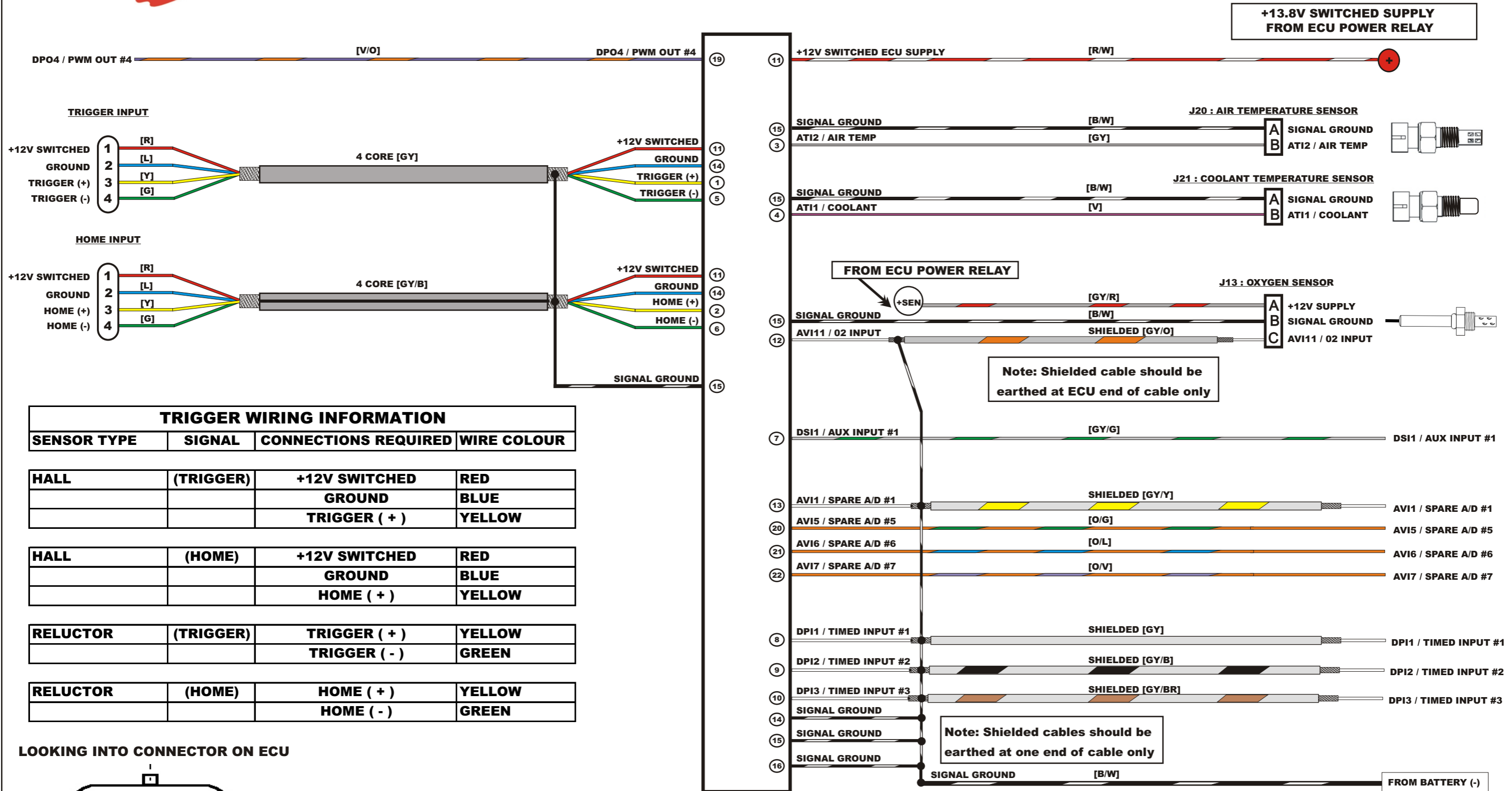


\* NOTE: Can Use 75A Circuit Breaker



# PLATINUM SPORT 2000 WIRING DIAGRAM

## 26 PIN CONNECTOR



**+13.8V SWITCHED SUPPLY FROM ECU POWER RELAY**

**FROM ECU POWER RELAY**

Note: Shielded cable should be earthed at ECU end of cable only

Note: Shielded cables should be earthed at one end of cable only